

SYR 312 Pressure Reducing Valve

Description

The SYR 312 Pressure Reducing Valve is used in water systems to limit the downstream pressure to the pre-set maximum. It compensates for fluctuating upstream pressure to maintain constant maximum outlet pressure.

Features of the SYR 312 Pressure Reducing Valve make it most suitable for reducing pressure within a zone. This allows individual zonal control, as opposed to limiting pressure at the mains which may result in poor flow in parts of the system. The slim-line design and compact cartridge make this valve the choice where space is limited.

The SYR 312 Pressure Reducing Valve is adjustable (100 kPa to 500 kPa) and available in 15 mm and 20 mm configurations.



Features and Benefits

- ❖ Protects downstream installations from excess supply pressure
 - » Reduces maintenance and repair costs on expensive equipment
- ❖ Simple adjustment mechanism
 - » Pressure adjustments are quick and easy
- ❖ Reduces pressure in a zone where high pressure and flow can be costly and/or dangerous
 - » Allows higher pressure to be used elsewhere in the distribution system in large installations
- ❖ Simple cartridge based design
 - » Valve and strainer can be serviced without disassembly and without special tools
- ❖ Flexible installation options
 - » Special cartridge design allows any mounting position
- ❖ Integrated gauge port
 - » Provides convenient access point for testing and setting pressure
- ❖ Reduced water consumption
 - » Improved economy of service with ecological benefits

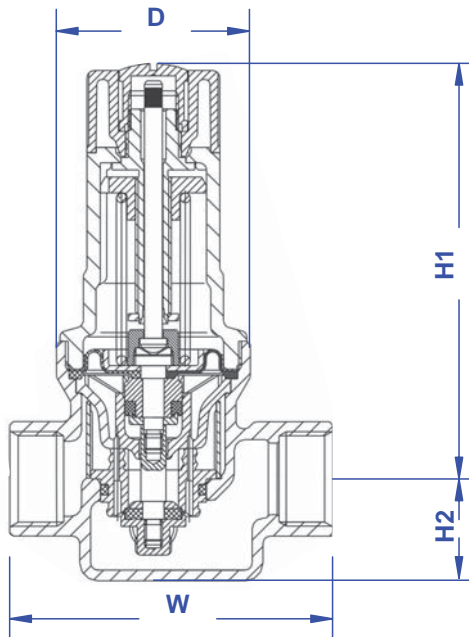
Application

The SYR 312 Pressure Reducing Valve is a Pressure Reducing Valve for use in residential and individual outlets as part of a zonal pressure regulation system. Use of a Pressure Reducing Valve can minimise water wastage.

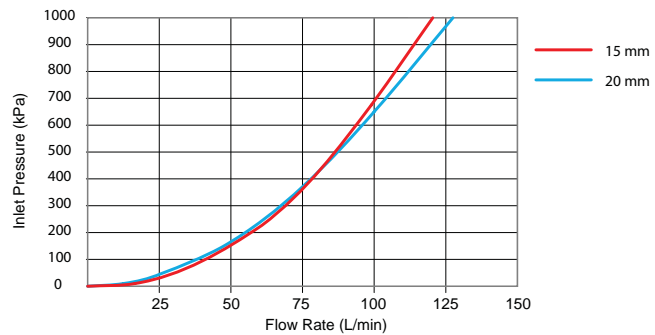
SYR 312 Pressure Reducing Valve

Specification

Maximum Inlet Pressure	1600 kPa
Outlet Pressure	Adjustable from 100 – 500 kPa Factory set to 400 kPa (Custom setting on request)
Operating Temperature	Maximum 60° C
Reduction Ratio	Maximum 10:1
Mounting Position	Any
Fluid Media	Water, compressed air, fuel oil, neutral non-adhesive fluids, neutral gases



Flow Characteristics



Materials

Body	Gunmetal alloy or low-lead brass alloy
Screw cap	Glass fibre reinforced synthetic
Rubber parts	Ageing resistant elastomer
Spring	Corrosion protected spring steel wire

Dimensions

Nominal Size	Width (W)	Height (H1)	Height (H2)	Diameter (D)
DN15	70	95.5	13.5	38
DN20	90	115.5	28.5	38

NB: All dimensions in millimeters unless otherwise stated.

Catalogue Numbers

Model	Catalogue Number
Syr 312 Adjustable 100 – 500 kPa PRV DN15	SYR31215
Syr 312 Adjustable 100 – 500 kPa PRV DN20	SYR31220

Product Notes

- Syr 312 and 315 Pressure Reducing Valves bear the Watermark and meet the specifications of AS1357.2.

Optional Accessories

The integrated gauge port on the *Syr 312 Pressure Reducing Valve* is compatible with the *RMC 1/4" BSP Rear Entry 1000 kPa Gauge* (Catalogue Number GAUGE6RE).